

DHI-ARD323-W2(S)

Wireless door detector



- Signal strength detection.
- Low battery alarm.
- Temperature measurement.
- Frequency hopping function and two-way communication technology ensure communication stability.
- Cloud update and automatic recovery from update failure.

System Overview

Wireless door detector is a detector consisting of a sensor and a magnet that can trigger an alarm when an armed door is opened. It can display the open and close state of doors and windows on the DMSS App in real time, and provides timely notifications of alarm events when armed, acting as a monitoring mechanism.

Scene

Mainly applied for villas, shops, apartments, etc.

Technical Specification

Port

| | |
|-----------------|---------------------------|
| Indicator Light | 1 × green alarm indicator |
| Button | 1 × power button |

Function

| | |
|-------------------|---------------------------|
| Tamper Alarm | Yes |
| Remote Upgrade | Cloud update |
| Low Battery Alarm | Yes |
| Test Mode | Yes |
| Search | Signal strength detection |

Wireless

| | |
|-------------------------|--|
| Carrier Frequency | 433.1 MHz–434.6 MHz |
| Communication Distance | Up to 1,000 m (3,280.84 ft) in an open space |
| Communication Mechanism | Two-way |
| Frequency Hopping | Yes |
| Encryption Mode | AES128 |

General

| | |
|-----------------------|---|
| Power Supply | CR123A battery |
| Power Consumption | Max. 70 mW |
| Operating Temperature | −10 °C to +55 °C (+14 °F to +131 °F) (indoor) |
| Operating Humidity | 10%–90% (RH) |
| Product Dimensions | 100.2mm × 20.8mm × 20.3mm (3.94" × 0.82" × 0.80") (L × W × H) |
| Packaging Dimensions | 135.0 mm × 98.5 mm × 27.8mm (5.31" × 3.88" × 1.09") (L × W × H) |
| Installation | Bracket mount |
| Net Weight | 70 g (0.15 lb) |
| Gross Weight | 115 g (0.25 lb) |
| Certifications | CE |
| Battery Life | 5 years |
| Casing | PC + ABS |

Temperature

| | |
|---------------------|---|
| Measuring Range | −15 °C to +65 °C (+18.8 °F to +149 °F) (indoor) |
| Measuring Precision | ± 1 °C (± 33.8 °F) |
| Resolution | 1 °C (33.8 °F) |

Specification

| | |
|-------------------|-----------------|
| Sensor | Reed Switch |
| Scenario | Non-metal doors |
| Movement Distance | < 40 mm (1.57") |

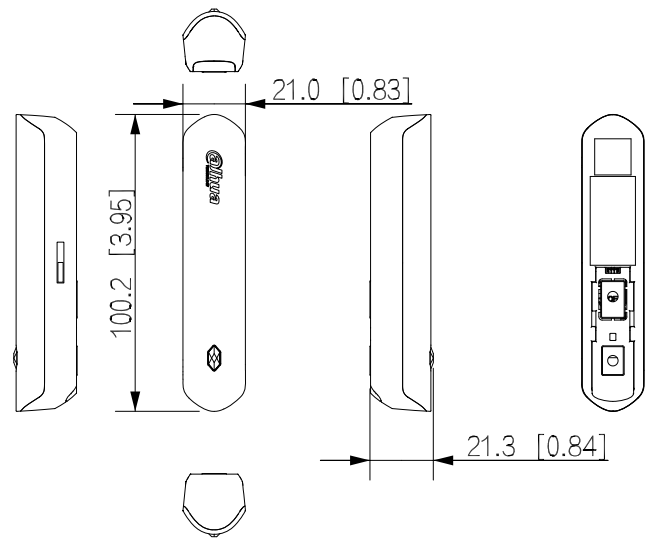
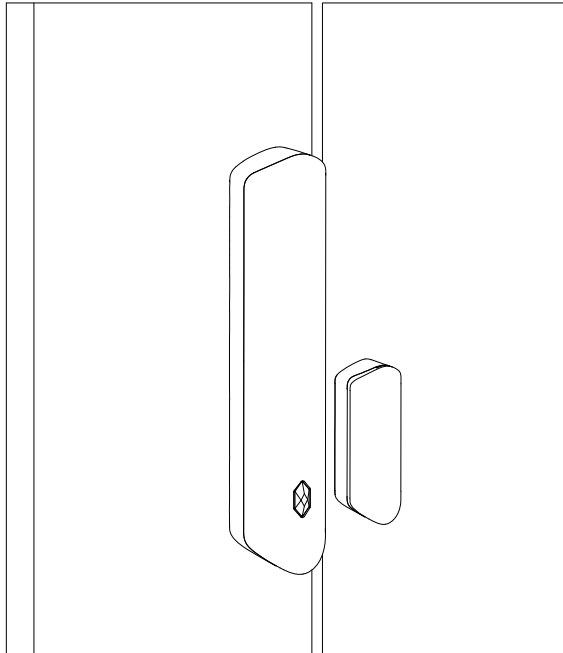
Peripherals

| | |
|---------------|-----------------------------|
| External Zone | 1-channel dry contact input |
|---------------|-----------------------------|

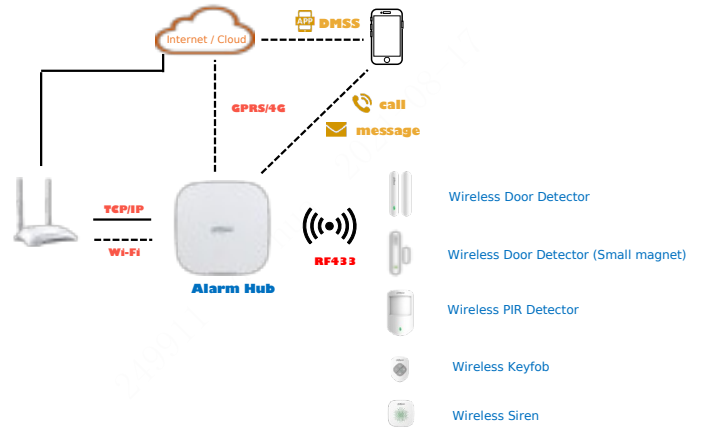
Ordering Information

| Type | Model | Description |
|------------------------|------------------|------------------------|
| Wireless door detector | DHI-ARD323-W2(S) | Wireless door detector |

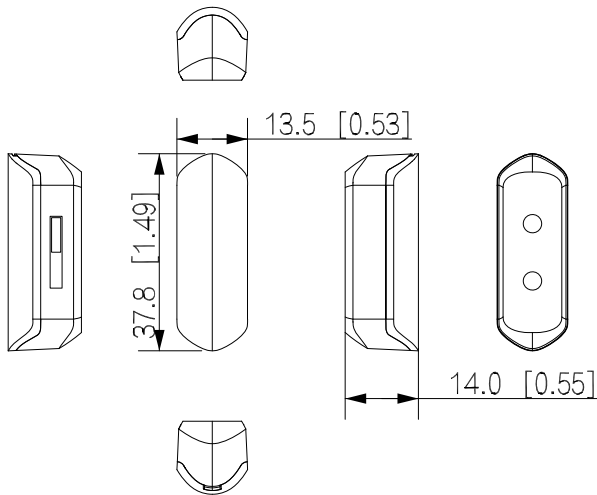
Installation



Application



Dimensions (mm[inch])



ch]