

# DH-HAC-HDW1200TMQ(-A)

## 2MP HDCVI Quick-to-install IR Eyeball Camera



- Max 30fps@1080P
- Quick-to-install eyeball saves installation time
- CVI/CVBS/AHD/TVI switchable
- 3.6mm fixed lens (2.8mm, 6mm optional)
- Built-in mic(-A)
- Max. IR length 60m, Smart IR
- IP67, DC12V



### System Overview

Experience 1080P full HD video and the simplicity of using existing cabling infrastructure with HDCVI. The Lite series 1080P HDCVI camera features a compact design and offers a high quality image at a friendly price. It offers various motorized/fixed lens models with a multi-language OSD and HD/SD switchable output. Its structural flexibility and high costperformance makes the camera an ideal choice for SMB solutions.

### Functions

#### 4 Signals over 1 Coaxial Cable

HDCVI technology supports 4 signals to be transmitted over 1 coaxial cable simultaneously, i.e. video, audio\*, data and power. Dual-way data transmission allows the HDCVI camera to interact with the XVR, such as sending control signal or triggering alarm. Moreover, HDCVI technology supports PoC for construction flexibility.

\* Audio input is available for some models of HDCVI cameras.

#### Easy Installation

HDCVI Quick-to-install eyeball adopts quick-to-install pedestal, which can achieve easier installation than conventional eyeball. Quick-to-install camera reduces time and labor costs.

#### Long Distance Transmission

HDCVI technology guarantees real-time transmission at long distance without any loss. It supports up to 800m(1080p)/1200m(720P) transmission via coaxial cable, and up to 300m(1080P)/450m(720P) via UTP cable.\*

\*Actual results verified by real-scene testing in Dahua's test laboratory.

#### Simplicity

HDCVI technology inherits the born feature of simplicity from traditional analog surveillance system, making itself a best choice for investment protection. HDCVI system can seamlessly upgrade the

traditional analog system without replacing existing coaxial cabling. The plug and play approach enables full HD video surveillance without the hassle of configuring a network.

#### Smart IR

The camera is designed with IR LED illumination for best lowlight performance. Smart IR is a technology to ensure brightness uniformity in B/W image under low illumination. Dahua's unique Smart IR adjusts to the intensity of camera's infrared LEDs to compensate for the distance of an object, and prevents IR LEDs from overexposing images as the object come closer to the camera.

#### Multi-formats

The camera supports multiple video formats including HDCVI, CVBS and other two common HD analog formats in the market. The four formats can be switched over through OSD menu or by PFM820(UTC controller). This feature makes the camera to be compatible with most end users' existing HD/SD DVRs.

#### Multi-language OSD

OSD menu provides multiple image adjustments and function settings to meet the requirements of different monitoring scenes. The OSD menu includes configurations such as backlight mode, day/night, white balance, privacy mask and motion detect. The camera supports 11 languages for OSD menu, namely, Chinese, English, French, German, Spanish, Portuguese, Italian, Japanese, Korean, Russian and Polish.

#### Protection

The camera's outstanding reliability is unsurpassed due to its rugged design. The camera is protected against water and dust with IP67 ranking, making it suitable for indoor or outdoor environments. With working temperature range of -40 °C to +60 °C (-40 °F to +140 °F), the camera is designed for extreme temperature environments. Supporting ±30% input voltage tolerance, this camera suits even the most unstable power supply conditions. Its 4KV lightning rating provides protection against the camera and its structure from the effects of lightning.

**Camera**

Image Sensor	1/2.7 inch CMOS
Max. Resolution	1920(H)×1080(V)
Pixel	2MP
Scanning System	Progressive
Electronic Shutter Speed	PAL: 1/25s–1/100000s NTSC: 1/30s–1/100000s
S/N Ratio	>65dB
Min. Illumination	0.02Lux/F1.9, 30IRE, 0Lux IR on
Illumination Distance	60 m (196.9 ft)
Illuminator On/Off Control	Auto; manual
Illuminator Number	2
Pan/Tilt/Rotation Range	Pan: 0°–360° Tilt: 0°–78° Rotation: 0°–360°

**Lens**

Lens Type	Fixed-focal				
Mount Type	M12				
Focal Length	2.8 mm; 3.6 mm; 6 mm				
Max. Aperture	F1.9				
Field of View	2.8 mm: 119° x 101° x 54° (diagonal x horizontal x vertical) 3.6 mm: 100° x 84° x 45° (diagonal x horizontal x vertical) 6 mm: 60° x 56° x 30° (diagonal x horizontal x vertical)				
Iris Type	Fixed iris				
Close Focus Distance	2.8 mm: 0.5 m (1.7 ft) 3.6 mm: 0.8 m (2.6 ft) 6 mm: 2 m (6.6 ft)				
DORI Distance	Lens	Detect	Observe	Recognize	Identify
	2.8 mm	38.6 m (126.6 ft)	15.4 m (50.5 ft)	7.7 m (25.3 ft)	3.9 m (12.8 ft)
	3.6 mm	49.7 m (163.1 ft)	19.9 m (65.3 ft)	9.9 m (32.5 ft)	5 m (16.4 ft)
	6 mm	82.8 m (271.7 ft)	33.1 m (108.6 ft)	16.6 m (54.5 ft)	8.3 m (27.2 ft)

Environment		WDR	DWDR
Operating Temperature	-40°C to +60°C (-40°F to 140°F); <95% (noncondensation)	White Balance	Auto; manual
Storage Temperature	-40°C to +60°C (-40°F to 140°F); <95% (noncondensation)	Gain Control	Auto; manual
Protection Grade	IP67	Noise Reduction	2D NR
Casing	Metal dome+metal cover+plastic decorative ring	Smart IR	Yes
Camera Dimensions	φ121.9 mm × 99.1 mm (φ4.8" × 3.9")	Electronic Defog	Yes
Net Weight	0.4 Kg (0.88 lb)	Mirror	Off/On
Gross Weight	0.6 Kg (1.32 lb)	Privacy Masking	Off/On (8 area, rectangle)

**Structure**

Certifications	
Certifications	CE (EN55032:2015, EN 61000-3-2:2014, EN 610003-3:2013, EN55024:2010+A1:2015, EN 55035:2017, EN50130-4:2011+A1:2014) FCC (CFR 47 FCC Part 15 subpartB, ANSI C63.4-2014) UL (UL60950-1+CAN/CSA C22.2 No.60950-1)

**Port**

Audio Output	One channel built-in mic (-A)
Video Output	Video output choices of CVI/TVI/AHD/CVBS by one BNC port

**Power**

Power Supply	12V ±30% DC
Power Consumption	Max 4.9W (12V DC, IR on)

**Video**

Frame Rate	CVI: 1080P@25/30fps; 720P@25/30fps; 720P@50/60fps; AHD: 1080P@25/30fps; 720P@25/30fps; TVI: 1080P@25/30fps; 720P@25/30fps; 720P@50/60fps; CVBS: 960H
Resolution	1080P (1920×1080); 720P (1280×720); 960H (960×576/960×480)
Day/Night	Auto switch by ICR
BLC	BLC/HLC/DWDR

[www.dahuasecurity.com](http://www.dahuasecurity.com)

**Lite Series | DH-HAC-HDW1200TMQ(-A)**

## Ordering Information

Type	Part Number	Description
2MP Camera	DH-HAC-HDW1200TMQP 2.8mm	2MP HDCVI IR Eyeball Camera
	DH-HAC-HDW1200TMQN 2.8mm	
	DH-HAC-HDW1200TMQP 3.6mm	
	DH-HAC-HDW1200TMQN 3.6mm	
	DH-HAC-HDW1200TMQP 6mm	
	DH-HAC-HDW1200TMQN 6mm	
	DH-HAC-HDW1200TMQP-A 2.8mm	
	DH-HAC-HDW1200TMQN-A 2.8mm	
	DH-HAC-HDW1200TMQP-A 3.6mm	
	DH-HAC-HDW1200TMQN-A 3.6mm	
	DH-HAC-HDW1200TMQP-A 6mm	
	DH-HAC-HDW1200TMQN-A 6mm	
Accessories	PFA137	Junction box
	PFA130-E	IP66 Junction box
	PFB205W	Wall Mount Bracket (For use alone or with PFA152-E)
	PFA152-E	Pole Mount Bracket (For use with PFB204W)
	PFM800-E	Passive HDCVI Balun
	PFM321D	12V 1A Power Adapter
	PFM820	UTC Controller
	PFM904	Integrated Mount Tester

## Accessories

### Optional:

**PFA137**  
**PFA130-E**  
 Junction box

**PFB205W**  
 IP66 Junction box Wall Mount

**PFA152-E**  
 Bracket (For use alone or with PFA152-E)

**PFM800-E**  
 Passive HDCVI Balun

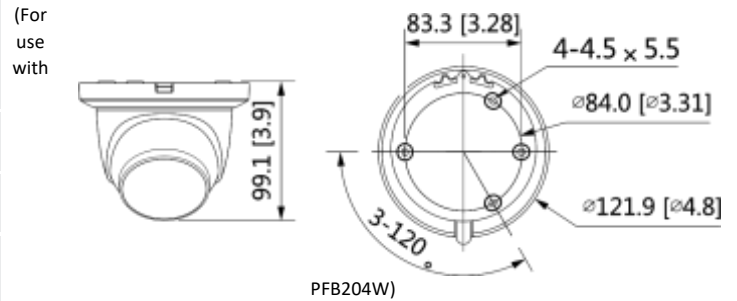
**PFM321D**  
 12V 1A Power Adapter

**PFM820**  
 UTC Controller

**PFM904**  
 Integrated Mount Tester

Junction Mount	Wall Mount	Pole Mount(Vertical)
Pole Mount Bracket	Passive HDCVI Balun	12V 1A Power Adapter

### Dimensions (mm[inch])



Rev 001.001 © 2020 Dahua. All rights reserved. Design and specifications are subject to change without notice.  
Pictures in the document are for reference only, and the actual product shall prevail.

[www.dahuasecurity.com](http://www.dahuasecurity.com)

---